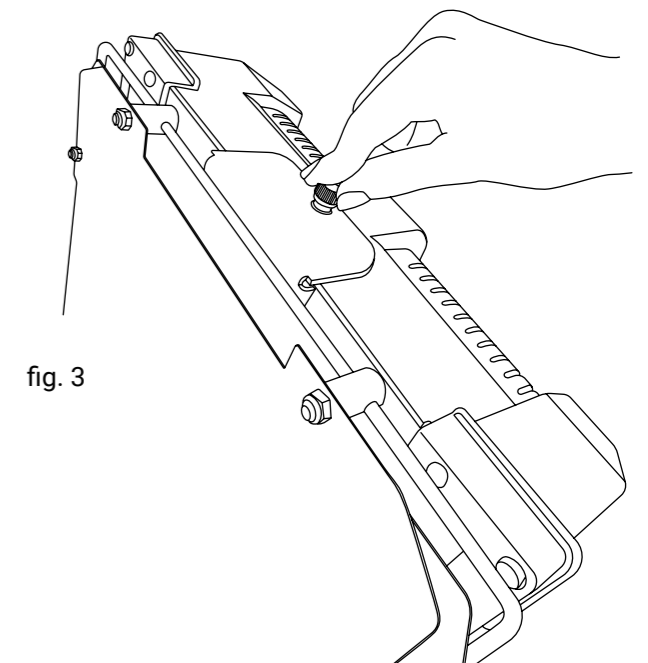
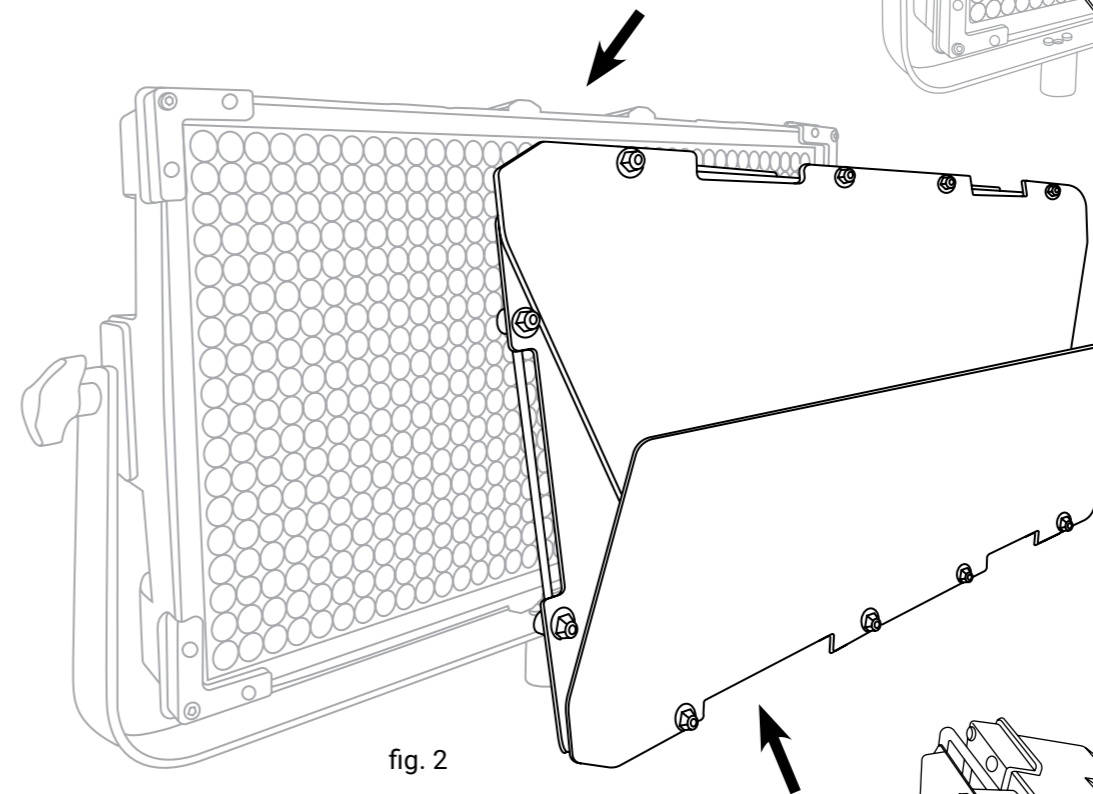
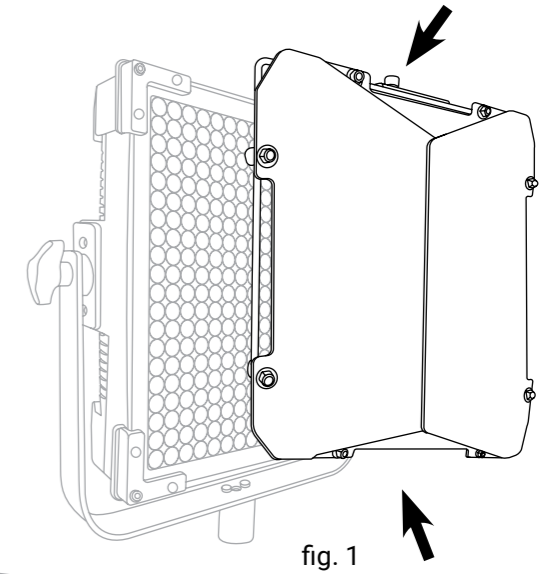


User Manual

SuperpanelPRO, UltrapanelPRO, Actionpanel, DayledPRO BARNDOORS

Instructions for SuperpanelPRO, UltrapanelPRO and Actionpanel models barndoors

To mount the barndoors on the Superpanel 30 (fig. 1) and on the Superpanel 60 (fig. 2), tighten the captive screws to the threads on the upper and lower sides of the panels (fig. 3).



Instructions for DayledPRO models barndoors

Lift and turn the upper lever to right or left indifferently. (fig 1)

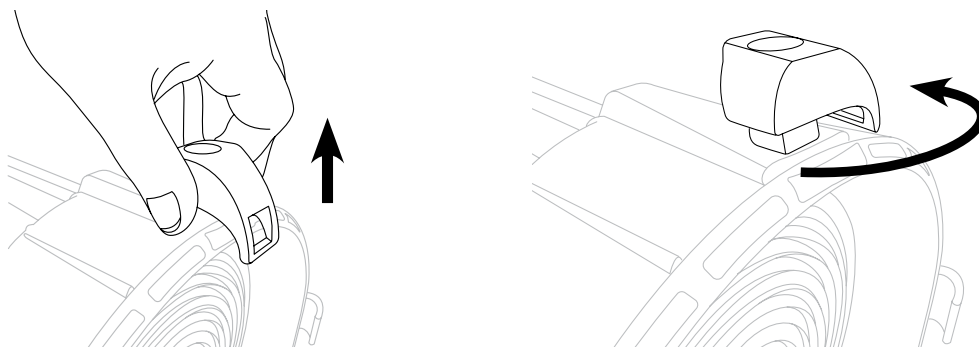


fig. 1

Once opened, the barndoors could be inserted in the lateral hooks. (fig. 2). To tighten the barndoors to the Dayleds turn again the upper level to close it. (fig. 3).

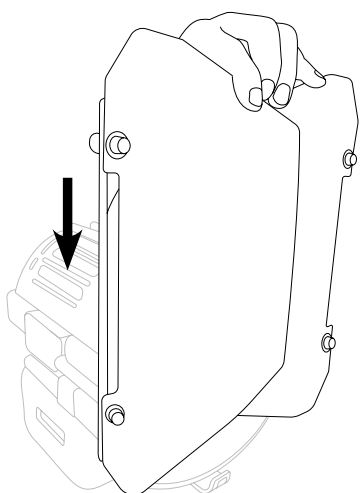


fig. 2

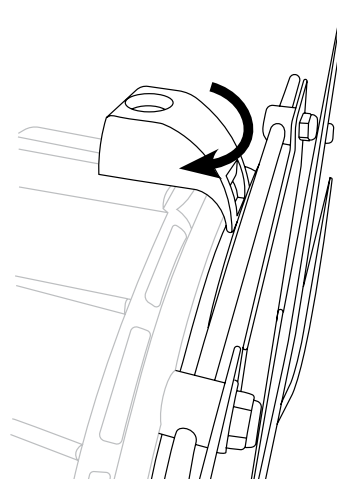
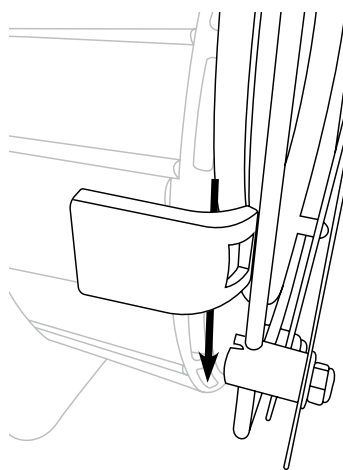


fig. 3

Once the barndoors are tightened they can be rotated by 360 degrees. (fig 4).

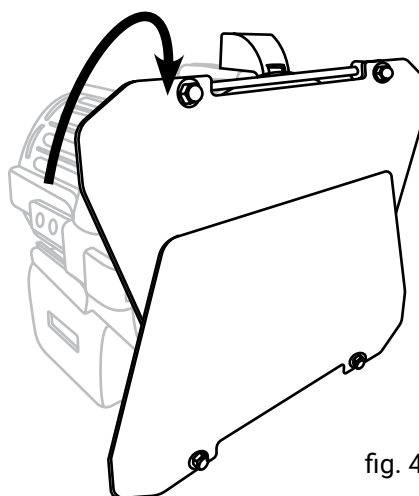


fig. 4